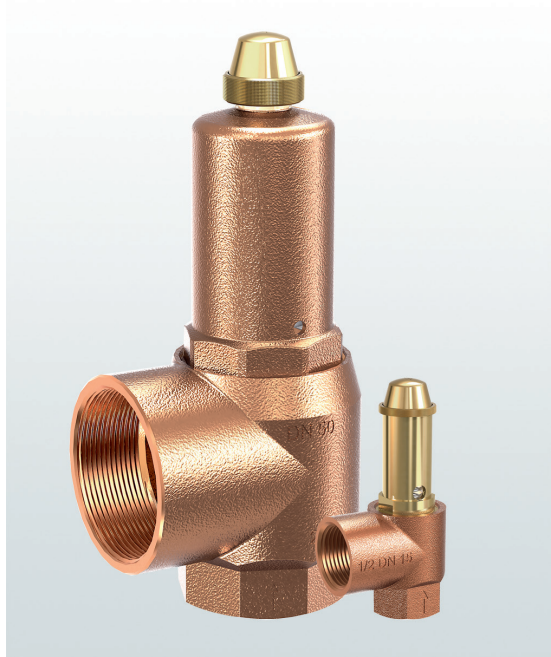


651mHNK

Safety valves made of gunmetal, angle-type with threaded connections

→ **Series 651mHNK**



■ SUITABLE FOR

Hot water



■ EXAMPLES OF USE

For the protection of:

- thermostatically protected closed-circuit water heating systems with flow temperatures of up to 120°C and a permissible heating output of up to 2.700 kW according to TRD 721, DIN 4751 and DIN EN 12828.

Should the thermostatic limiting and control unit fail, the safety valve has to blow-off the total heating output of the boiler as hot water and steam. Thanks to the all-metal design these safety valves can also be installed in cases of high environmental or radiation temperatures

- heating systems for building technology- and industrial-applications
- co-generation plants (CHP)

Safety valves are set and sealed at the factory.

■ APPROVALS

TÜV Type test approval 516	H
EU type examination	H
TSG ZF001-2006	H
TR ZU 032/2013 - TR ZU 010/2011	H

Requirements

TRD 721
DIN 4751 Part 2
DIN EN 12828
DIN EN ISO 4126-1
PED 2014/68/EU

Classification society

DNV	DNV
Lloyd's Register EMEA	LR EMEA
American Bureau of Shipping	ABS
Russian Maritime Register of Shipping	RS



■ MATERIAL



■ SPECIFICATION



1/2" – 2"



– 10°C to + 120°C



2,5 bar and
3,0 bar

■ MATERIALS

Component	Material	DIN EN	ASME
Inlet body	Gunmetal	CC499K	CC499K
Outlet body	Gunmetal	CC499K	CC499K
Internal parts	Brass	CW617N	CW617N
Spring	Spring steel with anti-rust protection	1.1200	ASTM A228

Series 651mHNK ■ VALVE VERSION

m	Standard with diaphragm	The diaphragm prevents the medium entering into the spring housing and protects moving parts from being affected by the medium.
----------	-------------------------	---

■ MEDIUM

HN	Hot water (national for Germany)	Flow temperature ≤ 120°C in water heating systems
-----------	----------------------------------	---

■ TYPE OF LIFTING MECHANISM

K	Standard with twist-type lifting mechanism
----------	--

■ AVAILABLE NOMINAL DIAMETERS AND CONNECTION SIZES

Nominal diameter DN	15	20	25	32	40	50
Inlet	1/2" (15)	3/4" (20)	1" (25)	1 1/4" (32)	1 1/2" (40)	2" (50)
Outlet	1/2" (15)					
	3/4" (20)	■				
	1" (25)		■			
	1 1/4" (32)			■		
	1 1/2" (40)				■	
	2" (50)					■
	2 1/2" (65)					

■ TYPE OF CONNECTION INLET / OUTLET THREADED CONNECTIONS

f / f	Standard	Female thread BSP-P / Female thread BSP-P	DIN EN 10226, ISO 7-1 / DIN EN 10226, ISO 7-1
--------------	----------	---	---

■ SEALS

EPDM	Ethylene propylene diene	Elastomere flat seal and diaphragm (up to 100% glycol resistant)	-10°C to +120°C
-------------	--------------------------	--	-----------------

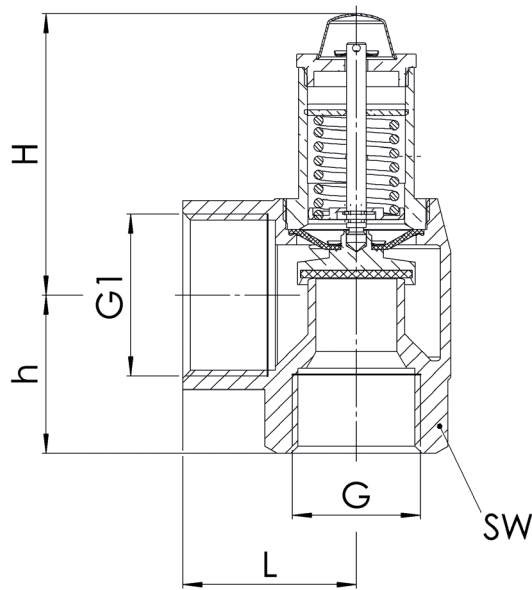
■ OPTIONS

Special versions on request.

■ NOMINAL DIAMETERS, CONNECTIONS, INSTALLATION DIMENSIONS

Series 651mHNK: Connection, installation dimensions, ranges of adjustment							
Nominal diameter	DN	15	20	25	32	40	50
Connection DIN EN 10226-1	G	1/2" (15)	3/4" (20)	1" (25)	1 1/4" (32)	1 1/2" (40)	2" (50)
Outlet DIN EN 10226-1	G1	3/4" (20)	1" (25)	1 1/4" (32)	1 1/2" (40)	2" (50)	2 1/2" (65)
Installation dimensions in mm	L	34	40	45	55	62	75
	H	70	65	75	85	155	185
	h	28	34	41	47	54	65
	SW	27	32	40	49	56	68
Weight	kg	0,3	0,45	0,75	1,1	2,2	3,2
Set pressure	bar	2,5 bar 3 bar	2,5 bar 3 bar	2,5 bar 3 bar	2,5 bar 3 bar	2,5 bar 3 bar	2,5 bar 3 bar

■ MAIN DIMENSIONS, INSTALLATION DIMENSIONS



■ INDIVIDUAL SELECTION / VALVE CONFIGURATION

Series	Valve version	Medium	Lifting device	Nominal diameter DN	Connection type		Connection size		Seal	Options	Set pressure	Quantity
					Inlet	Outlet	Inlet	Outlet				
651	m	HN	K	15	f	f	15	20	EPDM		2,5	2
651	m	HN	K						EPDM			
651	m	HN	K						EPDM			
651	m	HN	K						EPDM			

■ ENQUIRY

Copy and send to: order@goetze-armaturen.de.

Order form easily to be found online under the section for each series.

■ CAPACITY TABLE ACC. TO ISO 4126-1 / AD2000 A2

Series 651mHMK: Blowing-off rates at 0,5 bar above set pressure													
Nominal diameter DN		15		20		25		32		40		50	
Set pressure bar		kW	Kcal/h	kW	Kcal/h	kW	Kcal/h	kW	Kcal/h	kW	Kcal/h	kW	Kcal/h
Heating	2,50	50	45.000	100	90.000	200	175.000	350	300.000	600	500.000	900	750.000
	3,00	50	45.000	100	90.000	200	175.000	350	300.000	600	500.000	900	750.000

To achieve heating output according to TRD 721, up to three valves per system with separate discharge pipes can be installed.